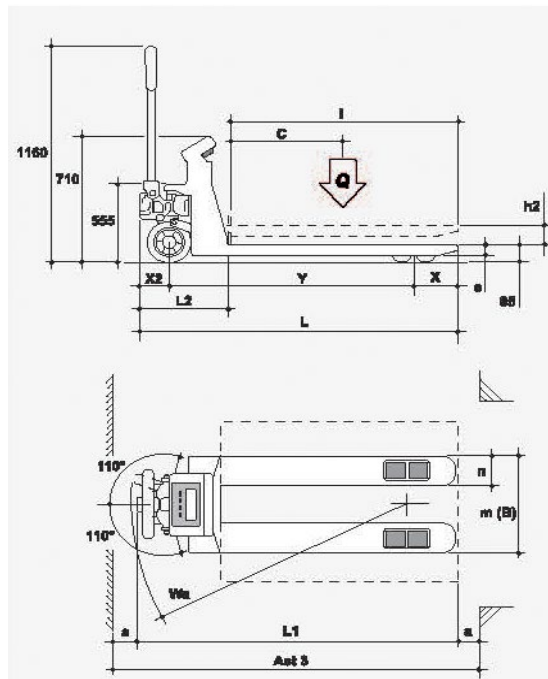


Hand pallet truck with integrated weighing system equipped with 4 stainless steel IP68 load cells assembled on the forks and a multifunction weight display placed in a comfortable position not interfering with the handling operations. In this way you do two things at the same time: transporting and weighing and you immediately know the weight of every pallet lifted. It's no longer necessary to drive back and forth to a fixed floor scale with the pallet or container, so you save time and manpower. It is entirely built in stainless steel AISI 304 (including the lifting pump and the hydraulic components) and it is suitable to work in the aggressive and corrosive environments where the cleaning and the hygiene are the most required values and where there is serious problem of corrosion related to the use of corrosive acids and saline solutions. The bearings are sealed waterproof and the bushings are polyamide as required by the food industry. It is the ideal and clean solution for the handling in the agrifood, chemical and pharmaceutical industries. It is corrosion-proof, maneuverable and ergonomic and it is built to withstand regular high-pressure cleaning and disinfection satisfying the strictest hygienic regulations.



Technical features

- corrosion-proof chassis for aggressive and corrosive environments
- ergonomic tiller arm, robust long-term durable structure
- built to withstand regular high-pressure cleaning and disinfection avoiding the spread of germs and bacteria
- hygienic features and easy access to the components (lower cleaning and maintenance cost)
- maximum stability
- 0,5 kg. division
- accuracy +/- 0,1% of the maximum capacity
- weight indicator with waterproof IP68 stainless steel case
- LCD display with 6 figures of 25 mm
- powered by rechargeable internal battery (50 hours) with battery charger and automatic switch-off



Pos.		TMB-20
Q	t	2.0
c	mm	600
l	mm	1.150
L	mm	1.520
x	mm	220
x2	mm	150
Y	mm	1.200
L2	mm	370
L1	mm	1.520
m	mm	550
n	mm	180
B	mm	550
s	mm	55
h2	mm	115
a	mm	100
Wa	mm	1.350
Ast3	mm	1.835
Accuracy +/- 0,5 kg with load 2,0 t		

Options package

- stainless steel AISI 316
- printing
- double load wheels
- tailor-made chassis to handle special loads
- custom forks length and width